



INDUSTRIAL FAN



Airmake Cooling System

HVAC Industrial Product And Services



CENTRIFUGAL BLOWER Backward Curved [LL Series & High Pressure]

AIRMAKE has total capability in designing, supply, erection and commissioning of air pollution control equipments and ventilation systems. However, in this brochure only industrial centrifugal blowers have been covered. The company has got a team of engineers trained to develop & design specific blowers depends on the application.

We believe in quality, performance and to complete the task in stipulated time. The unit is backed by its modern and complete facilities manned by experienced engineers and skilful plant personnel.

AIRMAKE industrial centrifugal blowers have been in great demand because of their quality, reliability and efficiency, backed by vast experience of their professionals, in this field.




AIRMAKE industrial centrifugal blowers have wide range of applications in various industries such as Power Plants, Automobiles Industry, Foundries etc.

AIRMAKE LIMIT LOAD BLOWERS (Non overloading)

ACLLD.(DIDW) type Centrifugal Blowers are designed for high volume, low pressure, low noise level for Air Conditioning, Air Cooling, pressurization and other related applications. The welded construction makes the fan robust & sturdy. AIRMAKE offers 3 type of fan constructions suitable from 15mmWG to 375mmWG. AIRMAKE provides technical catalogue on specific requirements.



THE FIGURE BELOW SHOW AIRMAKE FAN IMPELLERS

 <p>Limit load Blades</p>	<p>TYPE ACLL-S (Single Inlet) ACLL-D(Double Inlet)</p> <p>Application Air Conditioning Air Cooling Ventilation Pressurisation</p>
 <p>Backward Curved Blades</p>	<p>TYPE ACBL, AMBM, AHBM, AHBH</p> <p>Application Forced Ventilation Motor Ventilation Drying Application Wire Drawing- Machines Dust Proffing</p>
 <p>Backward Curved Self Cleaning Blades</p>	<p>TYPE AMRL,AMRM,AHRM</p> <p>Application Boilers Foundries Welding Shopes Pharmaceuticals Chemical Engineering-Indutry Automobiles</p>

AIRMAKE HIGH PRESSURE BLOWERS



AIRMAKE INDUCED & FORCED DRAFT BLOWERS

The ID & FD fans are carefully designed to meet ideal requirement for various industrial applications. AIRMAKE, 3 basic type of fans in 23 sizes are made in heavy duty construction with statically & dynamically balanced impellers which gives trouble free performance. Available air delivery 500 cum/hr.-1,50,000 cum/hr. These models consist of completely backward curved, backward curved with self cleaning and straight blades.

Material of construction

Standard: Mild sheetsteel, Carbon Steels and plates.
On request: Stainless Steel, Carbon Steel and aluminium construction can be offered.
Blowers with FRP lining can be offered where necessary.

Temperature

50⁰ C Arr.A 100⁰ C Arr.B 380⁰ C Arr.B with cooling disc.

To Enable us to select the right fan for your requirement, let us know the following information:

- ↔ Application
- ↔ Gas Density
- ↔ Gas Flow Rate
- ↔ Static Pressure
- ↔ Temperature

AIRMAKE CENTRIFUGAL BLOWERS - STATIC PRESSURE - RANGE

LIMIT LOAD		BACKWARD CURVED		BACKWARD CURVED WITH RADIAL TIP	
TYPE	TOTAL PRESSURE mmWG	TYPE	TOTAL PRESSURE mmWG	TYPE	TOTAL PRESSURE mmWG
ACLL-D/S Class I	75	ACBL	100	AMRL	300
Class II	150	AMBM	450	AMRM	600
Class III	200	AHBM	800	AHRM	900
Class IV	375	AHBH	1200		

AXIAL FLOW FAN

AIRMAKE-Axial Flow Fan are used for providing general ventilation, fume exhaust and removal of hot spots and can be as roof extractor & bifurcated fan

TYPE

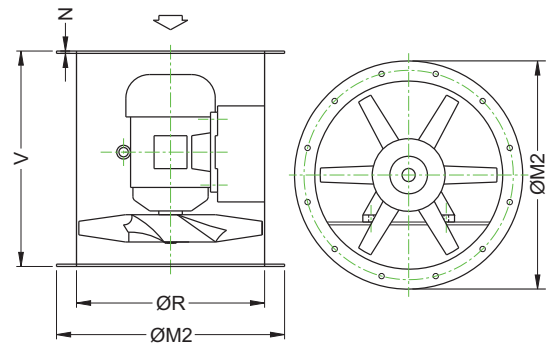
- General Ventilation Purpose.
- Fire rated application & smoke exhaust

DUTIES

AIRMAKE-Axial flow-fans are specially manufactured for all applications and mounting positions in case sizes 500 to 1600 mm diameter. However small sizes fan from 300 to 450 dia can also be available on request
The performance range is from 1000 to 150000 m³/h on air volume, at static pressure up to 1500 Pa (150mmWG).

IMPELLER

AIRMAKE-impellers, hubs and blades are made of die cast aluminium alloy, the aerodynamical profile guarantees high efficiency and low noise. The hub is fitted with taper bush assembly for easy fitting on motors and is easy in maintenance.
The blades are with adjustable pitch angle to optimise the duty point.



DIMENSION TABLE

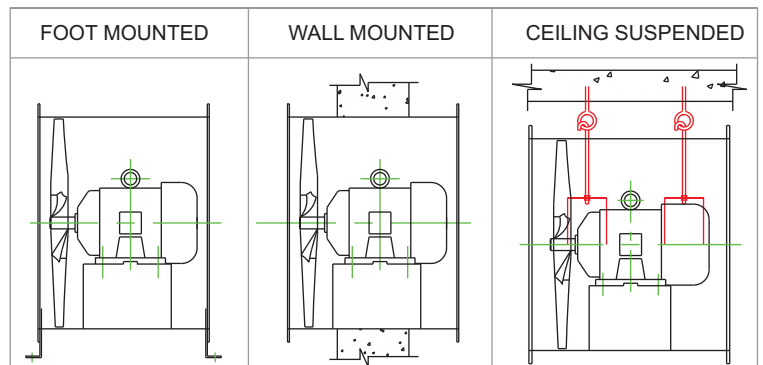
ACA	ØM2	N	ØR	V
500	585	6	500	350
600	685	6	600	430
700	785	6	700	440
800	885	6	800	560
900	985	6	900	575
1000	1085	6	1000	590
1200	1305	10	1200	680
1300	1405	10	1300	760
1400	1505	10	1400	760
1500	1605	10	1500	760
1600	1706	10	1600	800

DRIVING ARRANGEMENTS

There are two types of drives – The direct drive arrangement or V – Belt drive arrangement. We can provide coupling drive arrangement on request.

CASING

The Casing is fabricated from mild steel sheets & plates and fitted with Flanges on both the ends.
Fans are available in following mounting arrangements.



APPLICATIONS

General Ventilation	Parking Ventilation
Fume Exhaust	Tunnel Ventilation
Removal hot spots	Generator Ventilation
As Roof Extractor	Air Conditioning
As Bifurcated Fan	Humidification
Basement Ventilation	In line applications
Kitchen Exhaust	Man cooler

MOTOR

The standard A.C motors are totally enclosed fan cooled (TEFC), squirrel cage induction type suitable for ambient temperature upto 40° C, Flame proofs, vapour tight and other motors like class H and high temperature motors can be supplied on request.

Centrifugal Blower Forward Curved [ACFC Series]

Double Inlet Forward Curved Centrifugal Blower

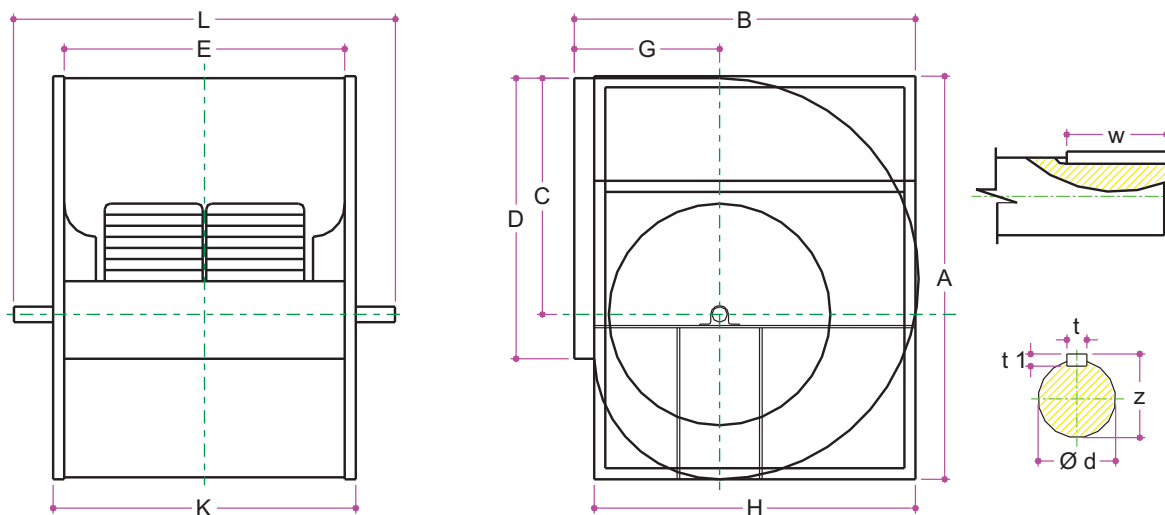
The ACFC series Centrifugal Blower (Forward Curved) consist of Double Inlet Double Width (DIDW) centrifugal fans. These fans have forward curved impellers with forward curved blades having special profile to give you maximum efficiency at low noise levels. These impellers are statically and dynamically balanced. The fans are suitable for various applications, where high volume air displacement is required like Air Cooling, General Ventilation, Pressurization etc., in commercial process and industrial HVAC systems

The ACFC series is available in type A where strong side frame (M.S.) in welded construction are provided to support the Bearing and for wheel assembly

Fan size : 500 to 1120
Volume : 1000 to 100000 m³/h
Total Pressure : 100Pa to 1600 Pa



TYPE - A
MODEL ACFC-D (500 - 1120)



FAN Dia	A	B	C	D	E	G	H	K	L	t	t1	w	z	Ød
500	921	802	538	638	638	352	752	718	960	12	8	70	43	40
560	1033	894	603	714	714	390	846	814	1050	12	8	90	43	40
630	1160	1000	679	800	800	434	947	900	1170	14	9	90	48.5	45
710	1305	1122	765	898	898	484	1059	998	1285	14	9	90	54	50
800	1471	1256	862	1006	1006	540	1182	1106	1390	18	11	90	64	50
900	1651	1410	971	1130	1130	604	1321	1230	1570	18	11	90	64	60
1000	1813	1542	1066	1266	1266	656	1452	1366	1725	18	11	90	64	60
1120	2038	1727	1200	1422	1422	748	1632	1542	1900	22	14	110	80	75

Centrifugal Blower Backward Curved [ACBC Series]

Double Inlet Backward Curved Centrifugal Blower

The ACBC series Centrifugal Blower (Backward Curved) consist of Double Inlet Double Width (DIDW) centrifugal fans. These fans have Backward curved impellers with backward curved blades having special profile to give you maximum efficiency at low noise levels. These impellers are statically and dynamically balanced. The fans are suitable for various applications, where high volume air displacement is required like Air Cooling, General Ventilation, Pressurization etc., in commercial process and industrial HVAC systems

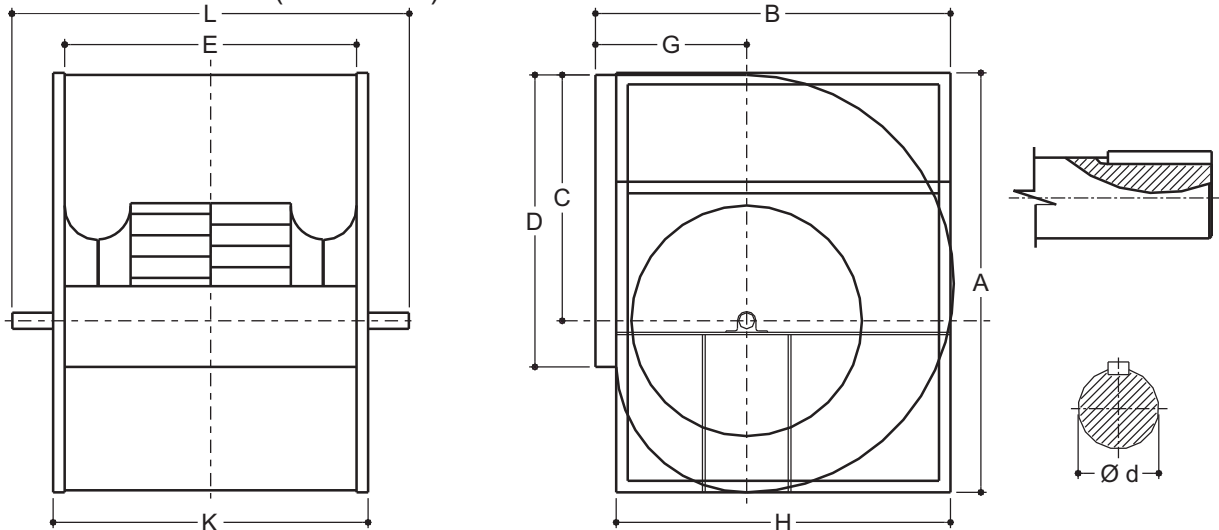
TYPE - A

The ACBC series is available in type A where strong side frame (M.S.) in welded construction are provided to support the Bearing and for wheel assembly



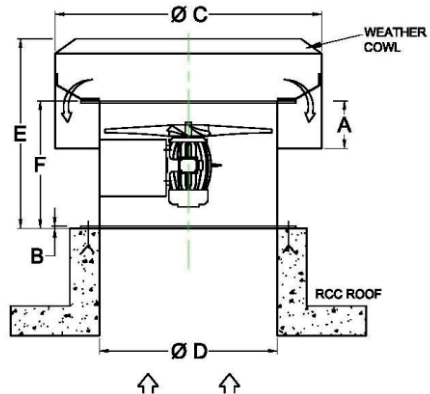
Fan size : 500 to 1400
Volume : 4,000 to 1,50,000 m³/h
Total Pressure : 100 Pa to 1600 Pa

TYPE - A MODEL ACBC-D (500 - 1400)



FAN Dia	A	B	C	D	E	G	H	K	L	Ød
500	921	802	538	638	638	352	752	718	960	35
560	1033	894	603	714	714	390	846	814	1085	40
630	1160	1000	679	800	800	434	947	900	1170	45
710	1305	1122	765	898	898	484	1059	998	1285	50
800	1471	1256	862	1006	1006	540	1182	1106	1390	55
900	1651	1410	971	1130	1130	604	1321	1230	1570	60
1000	1813	1542	1066	1266	1266	656	1452	1366	1725	70
1120	2038	1727	1200	1422	1422	748	1632	1542	1795	75
1250	2290	1932	1253	1524	1524	830	1833	1674	1976	75
1400	2573	2172	1515	1794	1794	963	2059	1944	2260	75

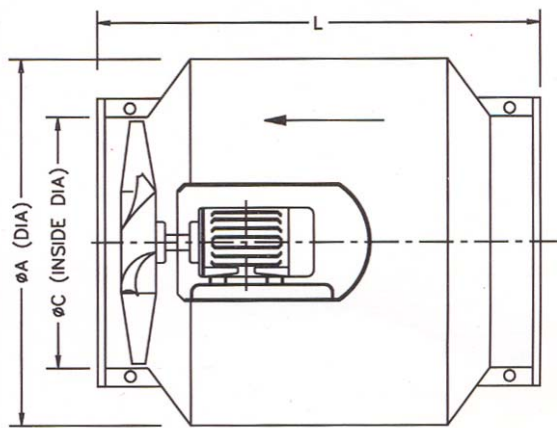
ROOF EXTRACTOR



The roof extractor is a motor driven fan unit and is provided with durable weather proof exhausthood. This is ideal for extraction or air supply through the roof, usually preferable in factories, power plant, Steel plant and foundries.

ACM	A	B	ØC	ØD	E	F
50	160	6	750	500	540	350
60	160	6	900	600	640	430
70	200	6	1050	700	746	440
80	210	6	1200	800	846	560
90	210	6	1350	900	950	575
100	225	6	1500	1000	1046	590
120	290	6	1800	1200	1265	680
140	300	8	2100	1400	1410	760
160	325	8	2400	1600	1525	800

BIFURCATED FAN



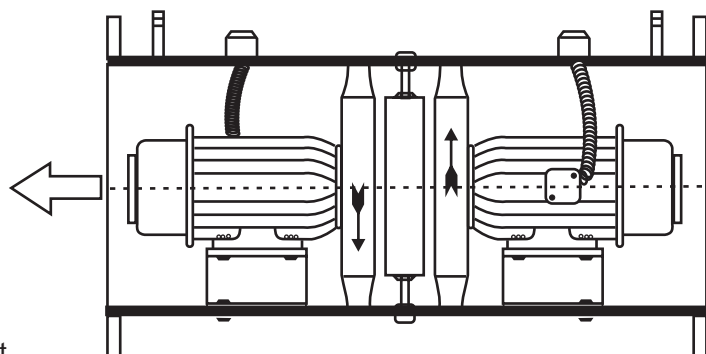
This fan is mostly placed to exhaust or supply the air of corrosive nature or hazardous for the motor. In this the motor is not in the stream of air, remain protected from the particles available in the air.

SIZE	50	60	70	80	90	100	100	120
A	700	850	950	1080	1250	1350	1350	1550
C	500	600	700	800	900	1000	1000	1200
L	800	900	1000	1050	1200	1250	1250	1600

ACTA is a high pressure fan comprising of two impeller with different number of blades, connected in series and rotating in opposite directions. Each empeller is driven by a direct coupled motor. The axial flow fan type ACTA has a wide range of applications and had proved especially suitable for ventilation of mines, tunnels etc. Where it can be directly fitted into the ventilation duct. It is further important to note that this fan is reversible and therefore it can be used both as supply and exhaust fan.

We are not providing the dimensional table. However, the same can be supplied on request.

MINE VENTILATION FAN





Airmake Cooling System

HVAC Industrial Product And Services

AIRMAKE COOLING SYSTEMS

Address : C-289 2nd Floor, Sector – 10

Noida (U.P.), India

Mobile : +(91)-9891810121

Res : +(91)-8826826399

Email : info@airmakecooling.com, airmakecooling@gmail.com